

SEAL:

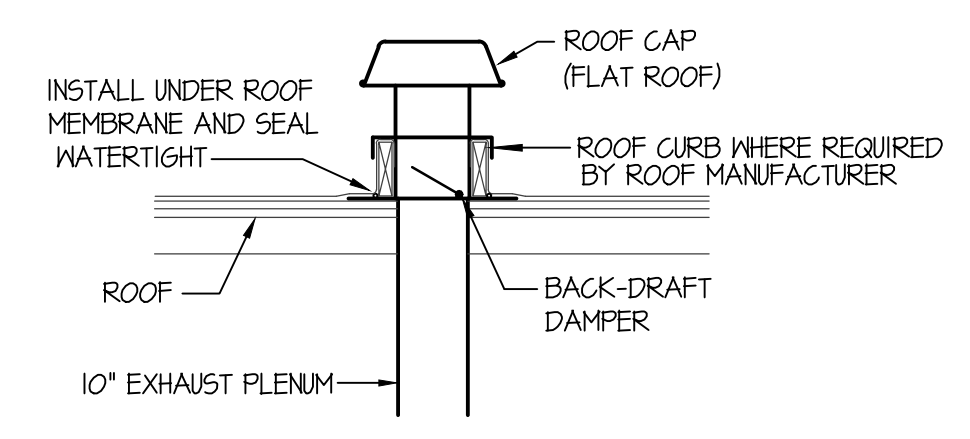
REV. DATE DESCRIPTION
06-27-19 CITY REVIEW

PROJECT: New Building Shell For: **KAYSVILLE COMMONS**
200 N 200 W
KAYSVILLE, UTAH 84037

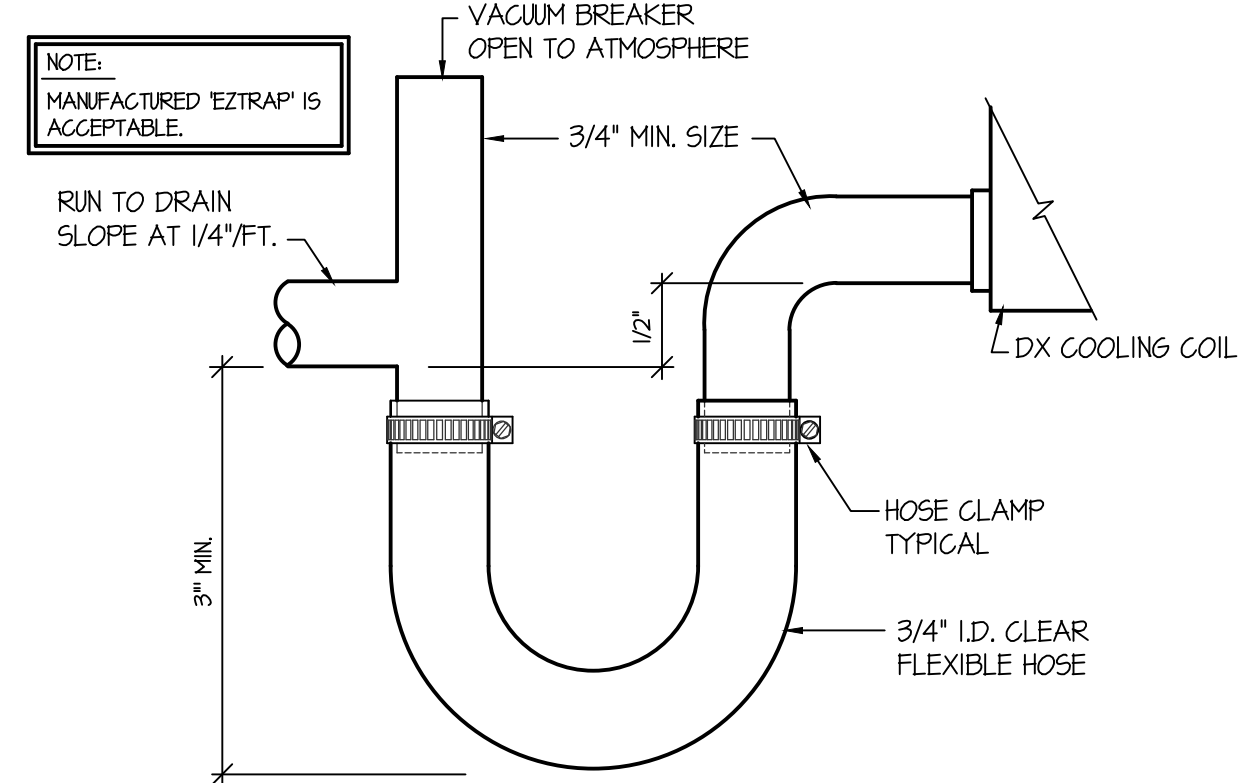
SHEET TITLE: **DETAILS AND SCHEDULES**

SHEET NUMBER: **M102**
DO NOT SCALE DRAWING

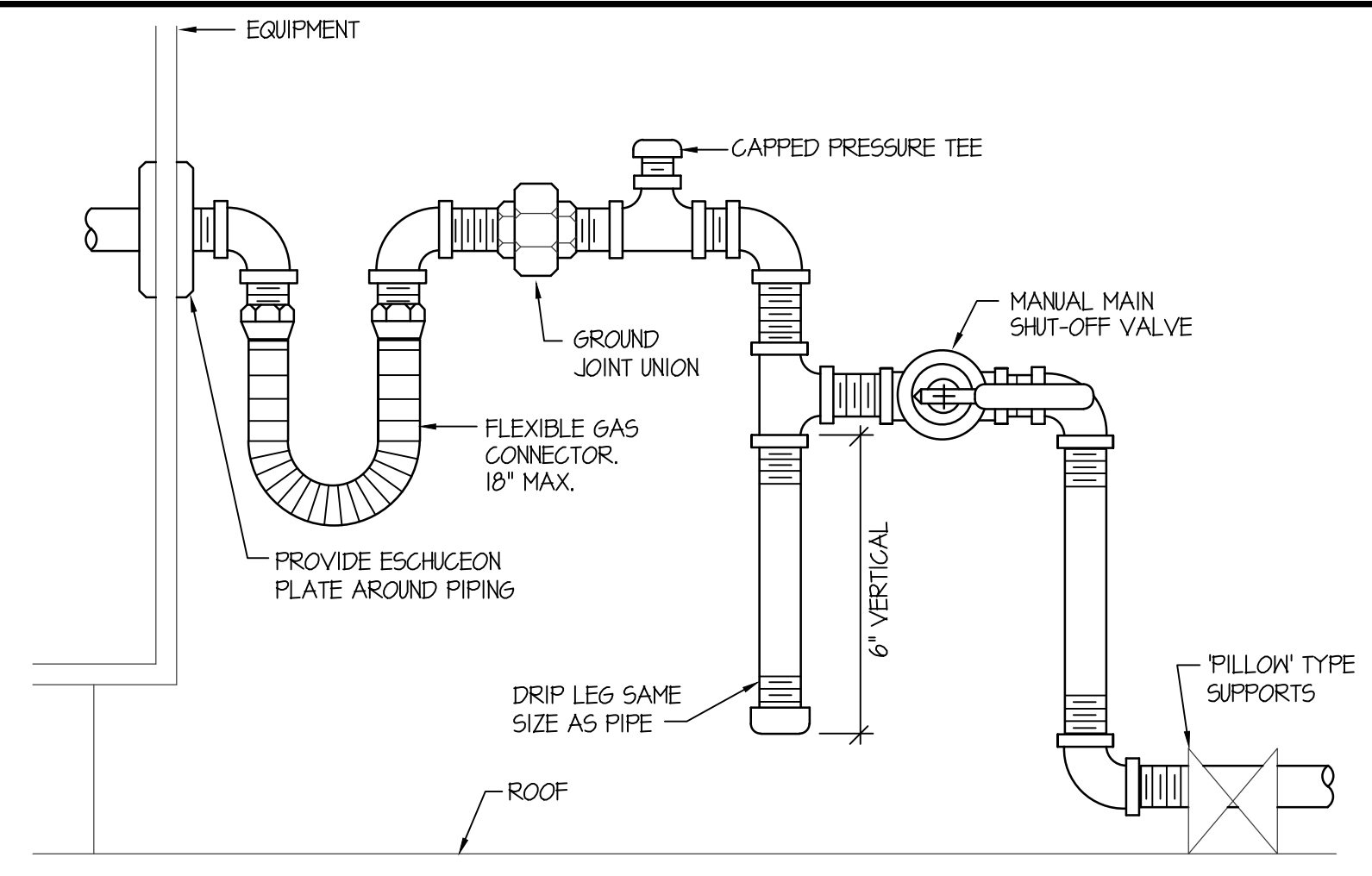
MOUNTAIN WEST ARCHITECTS | 543.25TH STREET, OGDEN, UT 84401 | PH: 801-388-6052 | WWW.MOUNTAINWESTARCHITECTS.COM



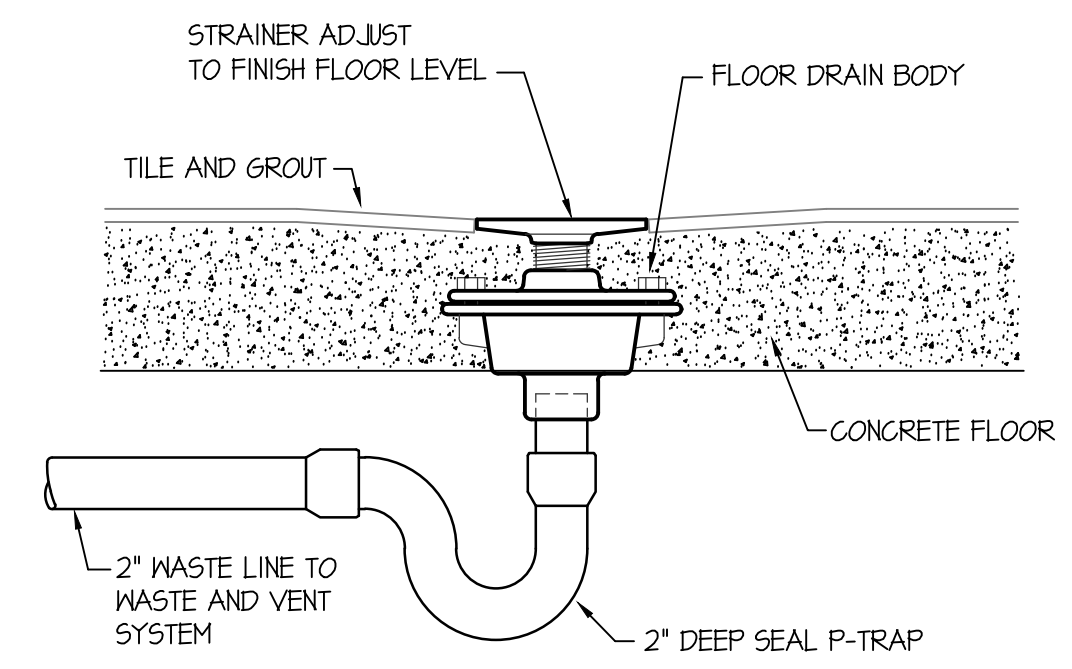
CEILING MOUNTED EXHAUST FAN DETAIL
NO SCALE



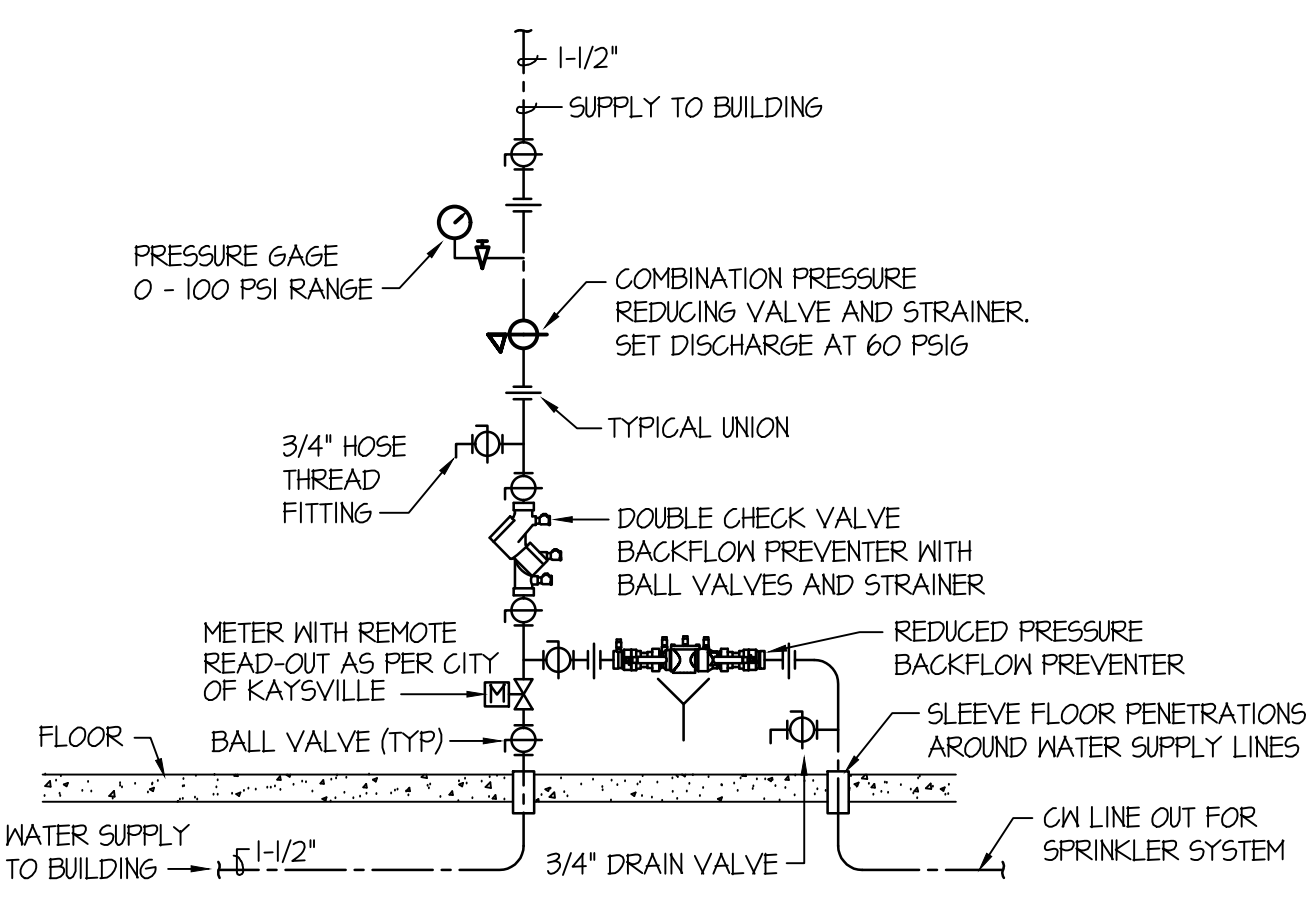
DX COIL CONDENSATE DRAIN DETAIL
NO SCALE



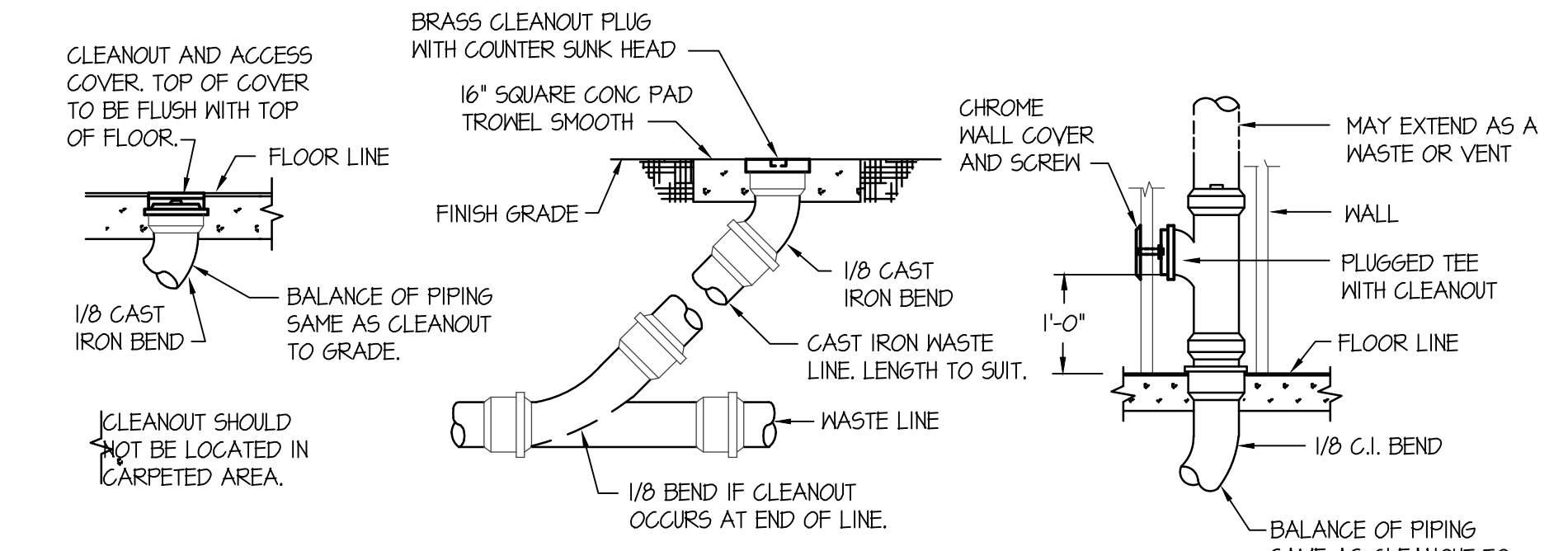
ROOF TOP GAS DETAIL
NO SCALE



FLOOR DRAIN IN CONCRETE FLOOR
NO SCALE

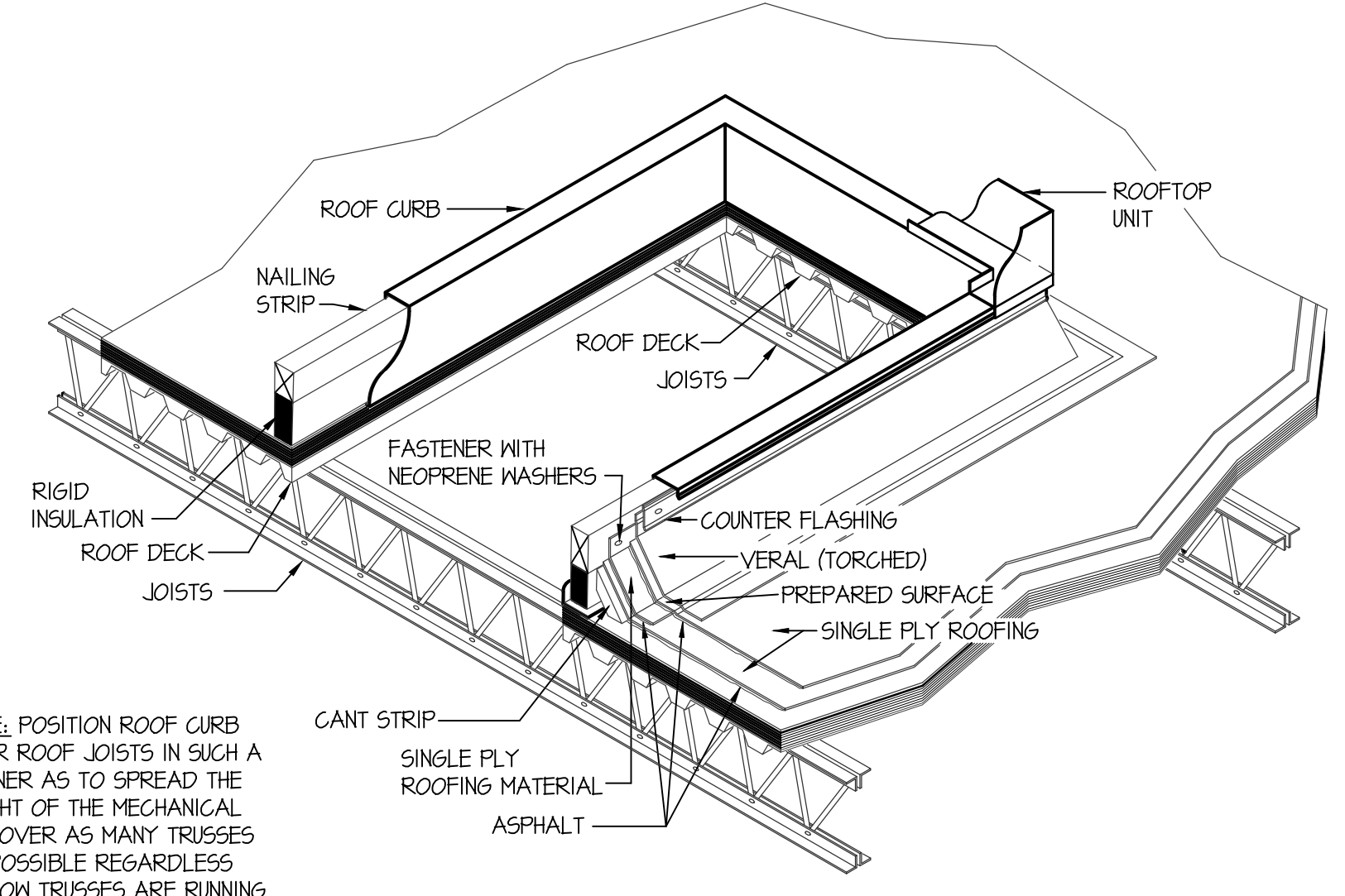


VERTICAL WATER PRESSURE REDUCING STATION
NO SCALE

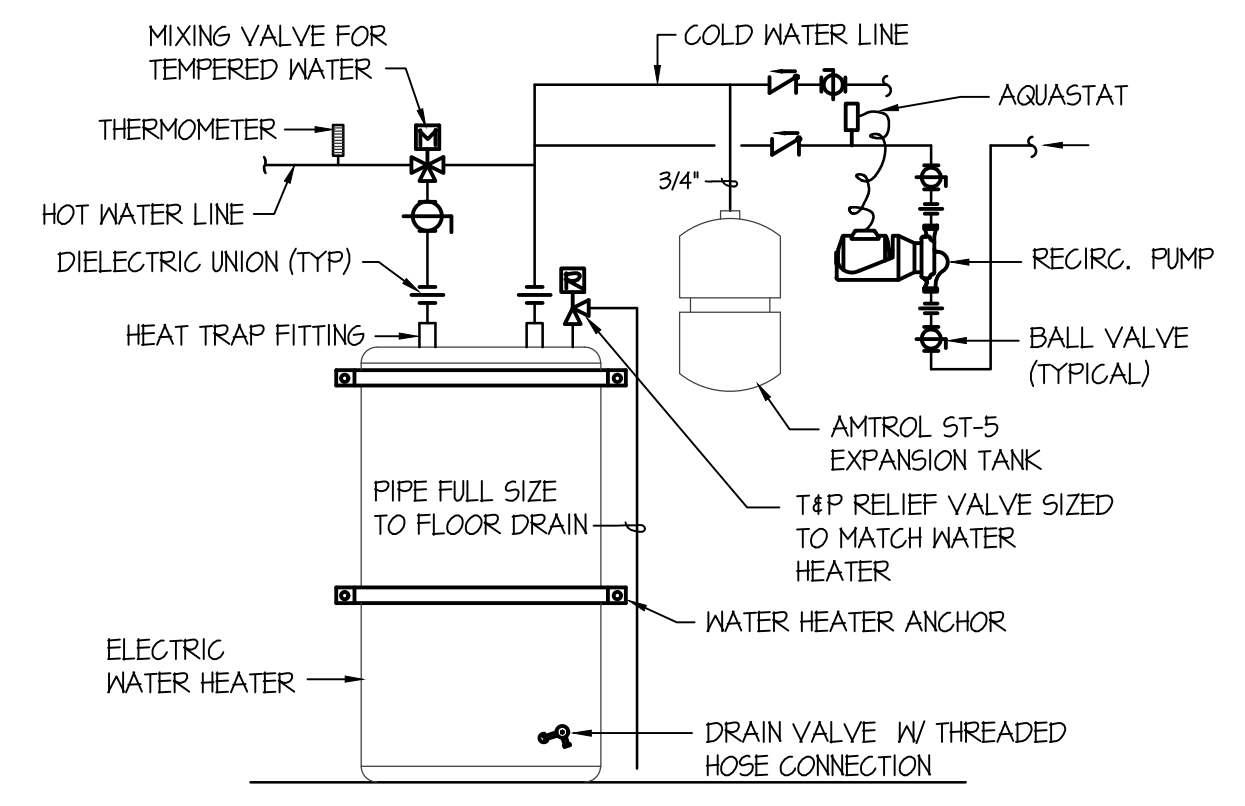


CLEAN OUT DETAILS
NO SCALE

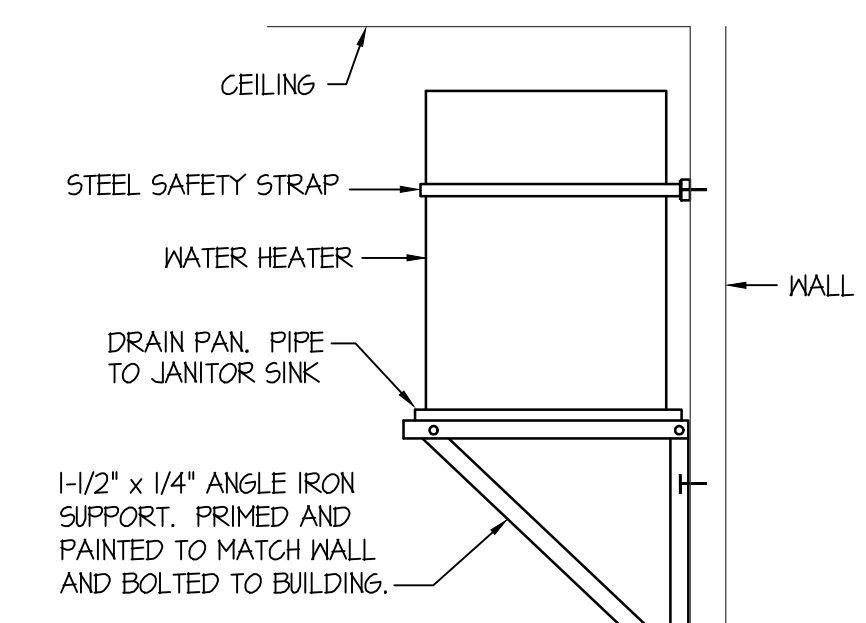
FIXTURE SCHEDULE					
SYM.	DESCRIPTION	HOT	COLD	WASTE	VENT
(FS-1)	3" FLOOR SINK - SIOUX CHIEF MODEL 861, WHITE PVC 12" X 12" FLOOR SINK WITH 3/4" HEAVY DUTY PVC HALF GRATE, SEDIMENT BUCKET, PROVIDED WITH 3" DRAIN AND 1-1/2" VENT.	---	---	3"	2"
(HB-1)	HOSE BIBB - ZURN MODEL Z1305 "ECOLOTRON" ENCASED NON-FREEZE, LENGTH TO SUIT WALL THICKNESS.	---	3/4"	---	---
(JS-1)	FLOOR MOUNTED SERVICE SINK - FIAT MODEL 24EFS (24"x24") MOP SINK WITH FIAT 830AA FAUCET AND 2" DEEP SEAL P-TRAP AND STRAINER	1/2"	1/2"	2"	2"
(L-1)	ADA WALL HUNG LAVATORY - KOHLER K-2032 "GREENWICH" WITH WALL CARRIER, MOEN L4600 LEVER HANDLE FAUCET, K-7115 OPEN GRID STRAINER WITH OFFSET WASTE LINE, 1/2" STOPS AND 1-1/4" P-TRAP. PROVIDE INSULATING JACKET ON HW AND WASTE PIPING.	1/2"	1/2"	1-1/2"	1-1/2"
(RD-1)	ROOF DRAIN - JAY R SMITH MODEL 1010 SIZE 3" WITH UNDERDECK CLAMP.	---	---	3"	---
(RP-1)	RECIRCULATING PUMP - GRUNDFOS MODEL UP15-10BT BRONZE PUMP WITH 3/4" FLANGES (2 GPM @ 5' OF HEAD) 120/60/1. SEE DETAIL ON THIS SHEET.	1/2"	---	---	---
(OD-1)	DECK OVERFLOW DRAIN - JAY R SMITH MODEL 1080 SIZE 3" WITH 2" HIGH WATER DAM AND UNDERDECK CLAMP.	---	---	3"	---
(WF-1)	WALL FLANGE - JAY R SMITH MODEL 1170 SIZE 3" WITH ROUGH BRONZE FINISH AND 3" DRAIN LINE CONNECTION	---	---	3"	---
(WC-1)	ADA TANK TYPE WATER CLOSET - KOHLER K-3421 "HIGHLINE" W/ ELONGATED BOWL, K-4610-C WHITE OPEN FRONT SEAT, BOLT CAPS AND 1/2" STOP VALVE. RH OR LH TANK LEVER AS PER PLANS FOR ADA.	---	1/2"	4"	2"
(WH-1)	ELECTRIC WATER HEATER - A.O. SMITH MODEL EL5C-205 ELECTRIC WATER HEATER 20 GALLON WITH 1500 WATT ELEMENT, @ 120V. AMTROL ST-5 EXPANSION TANK, T&P VALVE AND POWERS 3/4" LM-441-10 MIXING VALVE. WITH DRIP PAN.	3/4"	3/4"	---	---



TYPICAL ROOFTOP MOUNTING DETAIL
NO SCALE



WATER HEATER PIPING DETAIL
NO SCALE



WATER HEATER MOUNTING DETAIL
NO SCALE

EXHAUST FAN SCHEDULE								
SYM.	TYPE	G.F.M.	S.P.E.	WATTS	CHAR.	R.P.M.	CONTROL	REMARKS
(EF-1)	CEILING MOUNTED	144	25	100	120/60/1	750	SEE ELEC.	TWIN CITY MODEL T150 WITH BACKDRAFT DAMPER 6" EXHAUST

GRILLE AND REGISTER SCHEDULE								
SYM.	TYPE	SIZE	CFM RANGE	THROW PATTERN	CONSTR.	BALANCING DAMPER	FIRE DAMPER	REMARKS
(RC-1)	ROOF CAP	10" Ø	300	NA	ALUM	NA	NA	TWIN CITY MODEL 61CM WITH INSECT SCREEN AND BACK-DRAFT DAMPER

ROOF TOP UNIT																		
SYM.	CFM	OUTSIDE AIR REQUIRED	SP _r	BLOWER HP.	CHAR.	MCA	WEIGHT	GAS CONN.	GAS HEATING (1 STAGE)				COOLING				REMARKS	
									BTU IN	BTU OUT	EAT	LAT	MEH	EAT	LAT	SUPPLY		RETURN
(RT-1)	1600	250	1.0"	.75	208/60/3	23	570LB	1/2"	65,000	52,000	65°F	98°F	44	45°F	63°F	12x18"	14x16"	LENNOX K6H04854T, SEER 15, DOWNWARD DISCHARGE, WITH ECONOMIZER & POWER EXHAUST, WITH INTEGRAL DISCONNECT AND CONVENIENCE OUTLET
(RT-2)	1200	180	1.0"	.5	208/60/3	19	550LB	1/2"	65,000	52,000	65°F	98°F	35	45°F	63°F	16x18"	14x20"	LENNOX K6H03654T, SEER 15, DOWNWARD DISCHARGE, WITH ECONOMIZER & POWER EXHAUST, WITH INTEGRAL DISCONNECT AND CONVENIENCE OUTLET
(RT-3)	1200	180	1.0"	.5	208/60/3	19	550LB	1/2"	65,000	52,000	65°F	98°F	35	45°F	63°F	16x18"	14x20"	LENNOX K6H03654T, SEER 15, DOWNWARD DISCHARGE, WITH ECONOMIZER & POWER EXHAUST, WITH INTEGRAL DISCONNECT AND CONVENIENCE OUTLET
(RT-4)	1600	250	1.0"	.75	208/60/3	23	570LB	1/2"	65,000	52,000	65°F	98°F	44	45°F	63°F	12x18"	14x16"	LENNOX K6H04854T, SEER 15, DOWNWARD DISCHARGE, WITH ECONOMIZER & POWER EXHAUST, WITH INTEGRAL DISCONNECT AND CONVENIENCE OUTLET

Engineered Systems Associates
1355 EAST CENTER
POCATELLO, IDAHO 83201
PHONE: (208) 233-0501
FAX: (208) 233-0529
EMAIL: esa@engsystems.com
ESA JOB NUMBER: 19044

PROFESSIONAL ENGINEER
No. 322307
JUD WHEELER
JUN 27, 2019
STATE OF UTAH